



TRANSFORMERS

TRANSFORMERS  
EARTHRISE  
WAR OF CYBERTRON  
TRILOGY

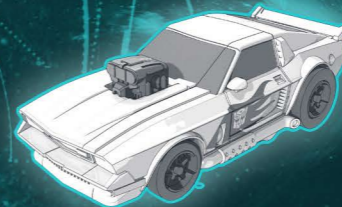
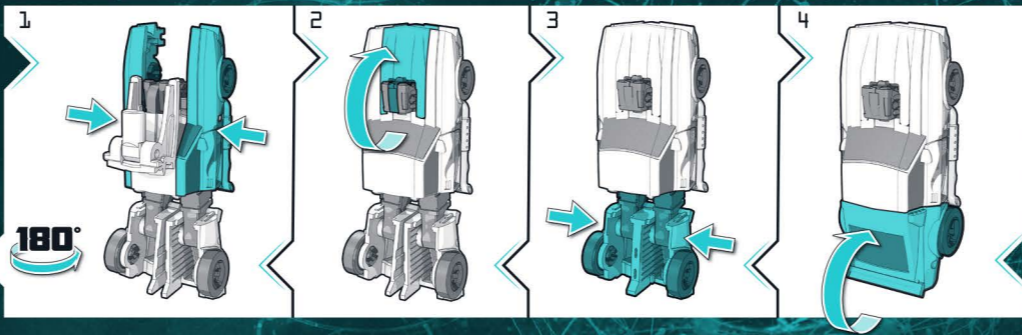
取扱説明書  
対象年齢  
15才以上



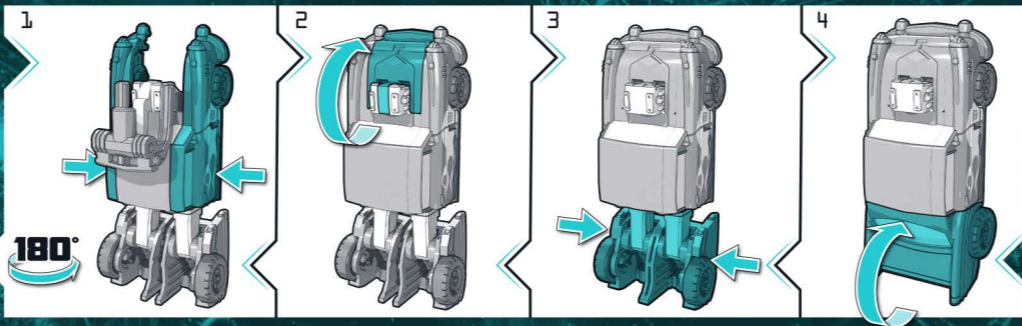
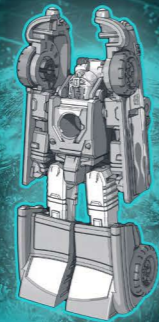
TRIP-UP



AUTOBOT DADDY-O



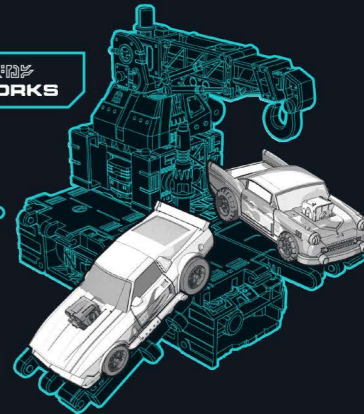
※写真、イラストは実際の商品と異なる場合があります。



※写真、イラストは実際の商品と異なる場合があります。

WFC-E8

IRONWORKS



\* Sold separately. Subject to availability. (Tr) Vendus séparément. Dans la limite des stocks disponibles. (De) Separ erhältlich. Je nach Verfügbarkeit. (Es) Se vende por separado. Sujeto a disponibilidad. (Pt) Vendidas em separado. Sujeitas a disponibilidade. (It) Venduto separatamente, secondo disponibilità. (Nl) Afzonderlijk verkrijgbaar. Naargelang de beschikbaarheid. (Sv) Säljs separat. I mån av tillgång. (Da) Sælges separat. Kan være udsolgt. (No) Selges separat. Med forbehold om tilgjengelighet. (Fi) Myydään erikseen. Saatavuus voi vaihdella. (Gr) Πωλείται ξεχωριστά. Εξαρτάται από τη διαθεσιμότητα. (Pl) Sprzedawane oddzielnie. W zależności od dostępności. (HU) Külön lehet megvásárolni. A készlet függvényében. (Cz) Ayrı satılır. Stoklarla sınırlıdır. (Sk) Prodává se samostatně. V závislosti na dostupnosti. (Ck) Predáva sa zvlášť. Závisí od dostupnosti. (Se) Se vinde separat. In limita disponibilității. (Ru) Продаётся отдельно. Уточняйте наличие. (Bv) Продава се отделно. В зависимост от наличността. (Hr) Prodaje se zasebno. Ovisno o raspoloživosti. (Lv) Parduodama atskirai. Gali būti parduodama ne visur. (Ct) Naprodaj ločeno. Odvisno od razpoložljivosti. (Kk) Продається окремо. Наявність не гарантована. (Et) Müüakse eraldi. Kätesaadavus sõltub laoseisust. (Tv) Pärdoad atseviški. Atkaribi no pieejamibas. (Ar) تباع بشكل منفصل، رهن التوفر.

WFC-E3

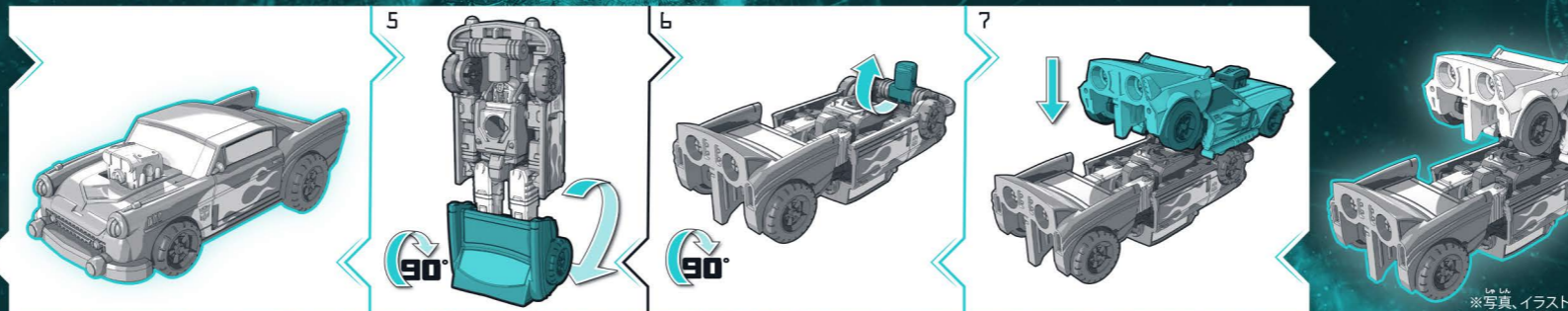
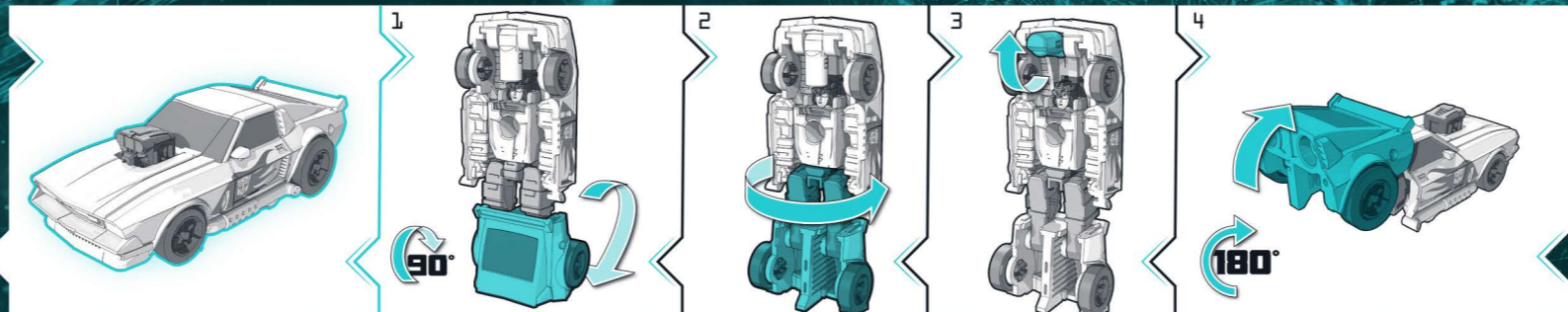


HOT ROD PATROL (x10)

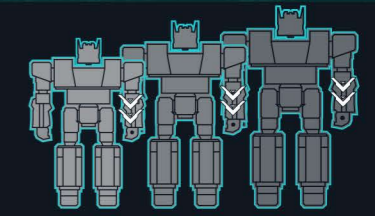
العربية (Ar)

※写真、イラストは実際の商品と異なる場合があります。

en Retain instructions for future reference. fr Conservez ces instructions pour référence ultérieure.  
 de Bitte die Anleitung für spätere Rückfragen aufbewahren. es Conserve este instructivo para futuras referencias.  
 pt Guardar instruções para eventuais consultas. it Conserva le istruzioni come futuro riferimento. nl Bewaar de gebruiksaanwijzing om later nog eens te lezen. sv Spara instruktionerna för att kunna hänvisa till dem i framtiden. da Gem vejledninger til fremtidig referencebrug. no Ta vare på disse instruksjonene for fremtidig referanse. fi Säilytä nämä tiedot tulevaa tarvetta varten.  
 el Φυλάξτε τις οδηγίες για μελλοντική αναφορά. pl Zachowaj instrukcje na przyszłość. hu Őrizd meg a használati útmutatót. tr Heride basıyımak üzere talimatları saklayın. cs Tyto informace uschovejte pro budoucí použití. sk Návod si odložte na použitie v budúcnosti. ro Păstrează instrucțiunile pentru a le consulta în viitor. ru Сохраните инструкцию для будущего использования. bg Запазете инструкциите за бъдещи справки. hr Sačuvajte upute za buduću upotrebu. R Instrukcija pasilikite ateicjai. sl Navodila shrani, mogoče jih boš še potreboval. uk Збережіть інструкції для подальшого використання. et Jäta juhised edasiseks kasutamiseks alles. lv Saglabājiet instrukciju atsaucēi.  
 ar احتفظ بالتعليمات للرجوع إليها في المستقبل.



\*写真、イラストは実際の商品と異なる場合があります。



en Works with additional figures. Each sold separately. Subject to availability. fr Works with additional figures. Each sold separately. Subject to availability. de Works with additional figures. Each sold separately. Subject to availability. es Works with additional figures. Each sold separately. Subject to availability. pt Works with additional figures. Each sold separately. Subject to availability. it Works with additional figures. Each sold separately. Subject to availability. nl Works with additional figures. Each sold separately. Subject to availability. sv Works with additional figures. Each sold separately. Subject to availability. da Works with additional figures. Each sold separately. Subject to availability. no Works with additional figures. Each sold separately. Subject to availability. fi Works with additional figures. Each sold separately. Subject to availability. el Works with additional figures. Each sold separately. Subject to availability. pl Works with additional figures. Each sold separately. Subject to availability. hu Works with additional figures. Each sold separately. Subject to availability. ro Works with additional figures. Each sold separately. Subject to availability. ru Works with additional figures. Each sold separately. Subject to availability. bg Works with additional figures. Each sold separately. Subject to availability. hr Works with additional figures. Each sold separately. Subject to availability. R Works with additional figures. Each sold separately. Subject to availability. sl Works with additional figures. Each sold separately. Subject to availability. uk Works with additional figures. Each sold separately. Subject to availability. et Works with additional figures. Each sold separately. Subject to availability. lv Works with additional figures. Each sold separately. Subject to availability. ar Works with additional figures. Each sold separately. Subject to availability.

Manufactured under license from TOMY Company, Ltd. TRANSFORMERS and HASBRO and all related trademarks and logos are trademarks of Hasbro, Inc. © 2019 Hasbro, Pawtucket, RI 02861-1059 USA. HASBRO CANADA, LONGUEUIL, QC, CANADA J4G 1G2. US/CANADA TEL. 1-800-255-5516. Centro de Servicio para México: TEL. 5876-2998 y para el interior de la República TEL. 01-800-7-12-62-25. centroserviciomexico@hasbro.com. Manufactured by/Produs de: Hasbro SA, Rue Emile-Boéchat 31, 2800 Delémont CH. Represented by/Reprezentat de: Hasbro, De Entree 240, 1101 EE Amsterdam, NL. ⑆ Üretici Firma Bilgileri: Hasbro SA, Rue Emile-Boéchat 31, 2800 Delémont İsviçre TEL +41 324210800. Hasbro Oyuncak San. ve Tic. A.Ş. tarafından ithal edilmiştir. Tüketicî Hizmetleri: Burhaniye Mah. Abdullahaga Cad. No: 51/2 34676 Beylerbeyi İstanbul Türkiye TEL +90 2164229010.

