

※写真、イラストは実際の商品と異なる場合があります。

TRANSFORMERS WAR FOR CYBERTRON TRILOGY

MICROMASTER™ figures become weapons to equip Deluxe, Voyager and Leader WAR FOR CYBERTRON™ figures. Additional figures each sold separately. Subject to availability.

MICROMASTER figures become weapons to equip Deluxe, Voyager and Leader WAR FOR CYBERTRON figures. Additional figures each sold separately. Subject to availability.

MICROMASTER figures become weapons to equip Deluxe, Voyager and Leader WAR FOR CYBERTRON figures. Additional figures each sold separately. Subject to availability.

MICROMASTER figures become weapons to equip Deluxe, Voyager and Leader WAR FOR CYBERTRON figures. Additional figures each sold separately. Subject to availability.



Multi-Mech Particle Exhaust Cannon
Multi-Mech Particle Exhaust Cannon
Multi-Mech Particle Exhaust Cannon
Multi-Mech Particle Exhaust Cannon

正しい遊び方説明書 対象年齢15才以上

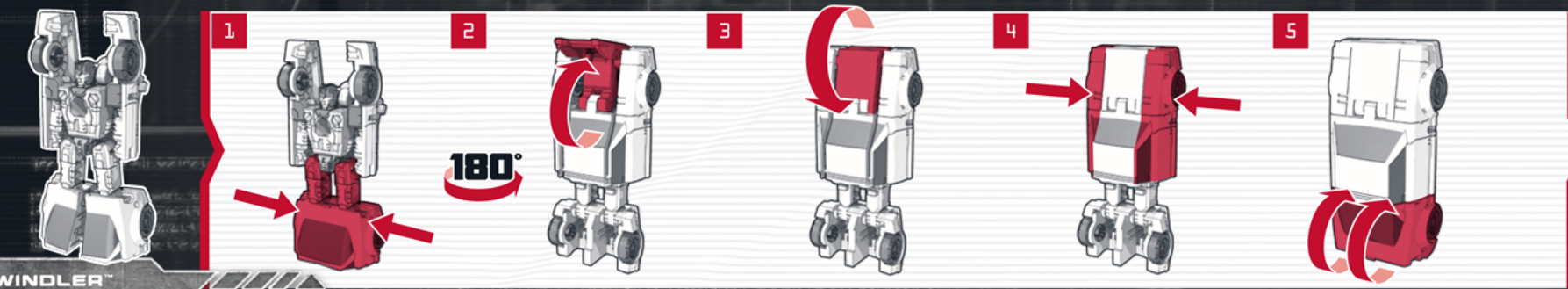
RACE CAR PATROL
RACE CAR PATROL
RACE CAR PATROL
RACE CAR PATROL

SWINDLER™ ROADHANDLER™

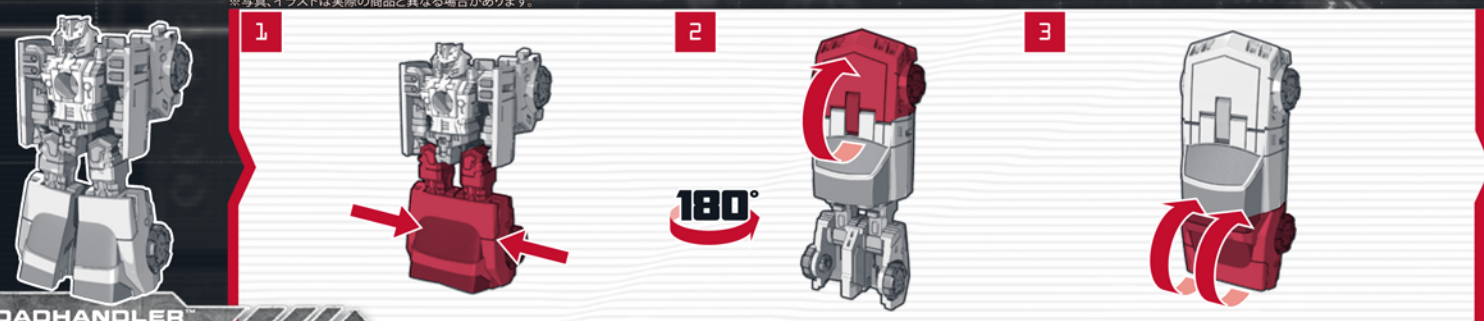
TRANSFORMERS
WAR FOR CYBERTRON
TRILOGY

SIEGE

MICROMASTER™ WFC-S4



※写真、イラストは実際の商品と異なる場合があります。



※写真、イラストは実際の商品と異なる場合があります。



NOTE: Some parts are made to detach if excessive force is applied and are designed to be reattached if separation occurs. Adult supervision may be necessary for younger children.

NOTE: Certaines pièces se détacheront sous une trop forte pression; dans un tel cas, il suffit de les reboîter. La surveillance d'un adulte peut être nécessaire pour les jeunes enfants.

NOTA: Algunas piezas podrían desprenderse si se aplica demasiada presión. Si esto ocurre, vuelve a unirlos. Requiere la supervisión de un adulto con niños más pequeños.

NOTA: Algumas partes foram projetadas para serem reencaixadas caso ocorra separação por uso de força excessiva. Requer a supervisão de um adulto no caso de crianças pequenas.

**Retain instructions for future reference.
Conservez ces instructions pour référence ultérieure.
Conserve este instructivo para futuras referencias.
Guardar instruções para eventuais consultas.**



Reverse steps to convert back. • Inverser les étapes pour changer de mode. • Invierte los pasos para reconvertirlo. • Inverta os passos para voltar ao modo anterior.
Some poses may require additional support. • Certaines positions requièrent un soutien supplémentaire. • Algunas posiciones requieren soporte adicional. • Algumas posições requerem apoio adicional.

Manufactured under license from TOMY Company, Ltd.
Product and colors may vary. Retain this information for future reference.
© 2018 Hasbro. All Rights Reserved. TM & © denote U.S. Trademarks.
Le produit et les couleurs peuvent varier. Conservez cette information pour référence ultérieure.
© 2018 Hasbro. Tous droits réservés.
HASBRO CANADA, LONGUEUIL, QC, CANADA J4G 1G2.
US/CANADA TEL. 1-800-255-5516.
El producto y los colores pueden variar. Conserve esta información para futuras referencias.
© 2018 Hasbro. Todos los derechos reservados. Centro de Servicio para México: TEL. 5876-2998 y para el interior de la República TEL. 01-800-7-12-62-25. centrodeserviciomexico@hasbro.com
O produto e as cores podem variar. Guardar para eventuais consultas.
© 2018 Hasbro. Todos os direitos reservados. Em caso de dúvidas sobre o produto, acesse www.hasbro.com, seção "Atendimento ao consumidor".